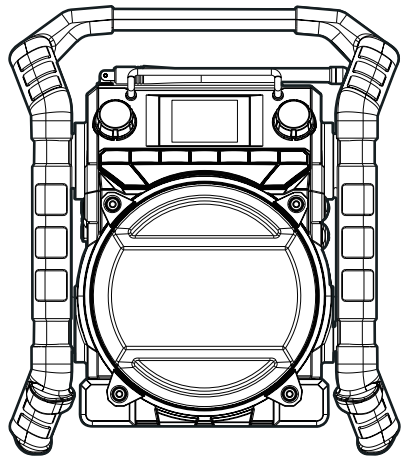
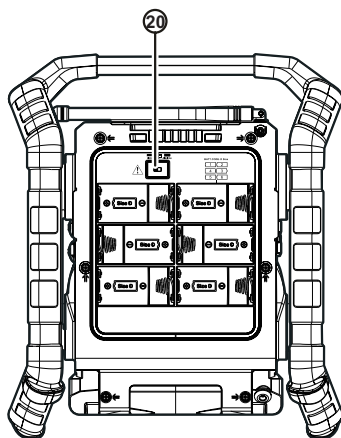
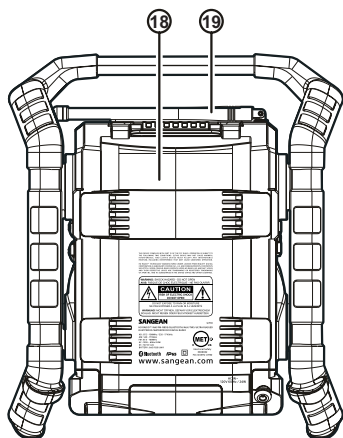
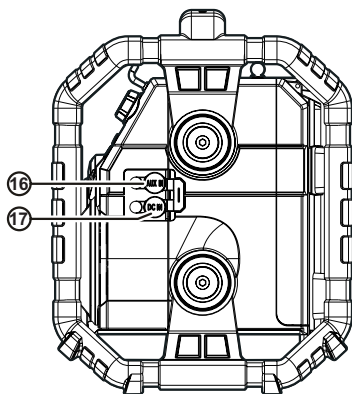
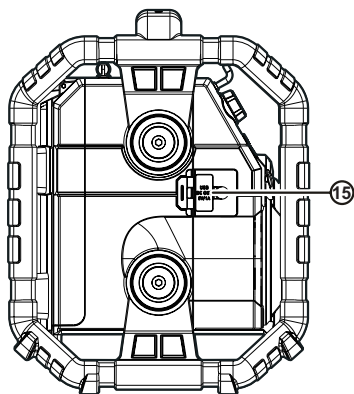
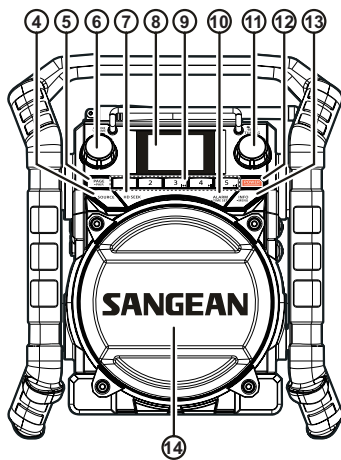
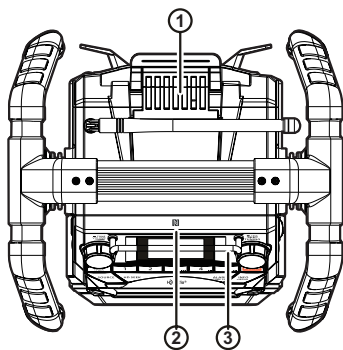


# U7HD



**GB**

Version 1






HD Radio™ Technology manufactured under license from iBiquity Digital Corporation, a subsidiary of Xperi Inc., U.S. and Foreign Patents. For patents see <https://xperi.com/hd-radio-patents/>. Xperi, HD Radio, HD, and 'ARC' logos and their respective logos are trademarks or registered trademarks of Xperi Inc. and its subsidiaries in the United States and other countries.



The Bluetooth® word mark and logos are registered trademarks owned by Bluetooth SIG, Inc. and any use of such marks by SANGEAN ELECTRONICS INC. is under license.

## 1. Important safety instructions

1. Read these instructions.
2. Keep these instructions.
3. Heed all warnings.
4. Follow all instructions.
5. Do not use this apparatus near water.
6. Clean only with dry cloth.
7. Do not block any ventilation openings. Install in accordance with the manufacturer's instructions.
8. Do not install near any heat sources such as radiators, heat registers, stoves, or other apparatus (including amplifiers) that produce heat.
9. Do not defeat the safety purpose of the polarized or grounding type plug. A polarized plug has two blades with one wider than the other. A grounding type plug has two blades and a third grounding prong. The wide blade or the third prong are provided for your safety. If the provided plug does not fit into your outlet. Consult an electrician for replacement of the obsolete outlet.
10. Protect the power cord from being walked on or pinched particularly at plugs, convenience receptacles, and the point where they exit from the apparatus.
11. Only use attachments / accessories specified by the manufacturer.
12. Use only with the cart, stand, tripod, bracket, or table specified by the manufacturer, or sold with the apparatus. When a cart is used, use caution when moving the cart / apparatus combination to avoid injury from tip-over. 
13. Unplug this apparatus during lightning storms or when unused for long periods of time.
14. Refer all servicing to qualified service personnel. Servicing is required when the apparatus has been damaged in any way, such as power-supply cord or plug is damaged, liquid has been spilled or objects have fallen into the apparatus, the apparatus has been exposed to rain or moisture, does not operate normally, or has been dropped.
15. To Reduce the Risk of Fire or Electric Shock, Do not Expose This Appliance To Rain or Moisture.
16. The Shock Hazard Marking and Associated Graphical Symbol is provided on the rear of unit.

17. Apparatus shall not be exposed to dripping or splashing and no objects filled with liquids, shall be placed on the apparatus.
18. Excessive sound pressure on ear- and headphones could impair the hearing ability. Higher setting that idle on the equalizer leads to higher signal voltages on the output for ear and headphones.
19. The power plug should be close to the radio, and easy to be approached that during the emergency, to disconnect the power from the radio, just unplug the power plug from the AC power slot.
20. Where the MAINS plug or an appliance coupler is used as the disconnect device, the disconnected device shall remain readily operable.
21. The batteries shall not be exposed to excessive heat such as sunshine, fire or the like.
22. This apparatus is provided with protection against splashing water and dust ingress (IP65).

### For United States:



### Cautions to the user

The changes or modifications not expressly approved by the party responsible for compliance could void the user's authority to operate the equipment.

### RF exposure statements

#### Radiation Exposure Statement:

The product comply with the FCC portable RF exposure limit set forth for an uncontrolled environment and are safe for intended operation as described in this manual. The further RF exposure reduction can be achieved if the product can be kept as far as possible from the user body or set the device to lower output power if such function is available.

#### Note:

This equipment has been tested and found to comply with the limits for a Class B digital device, pursuant to part 15 of the FCC Rules.

These limits are designed to provide reasonable protection against harmful interference in a residential installation. This equipment generates, uses and can radiate radio frequency energy and, if not installed and used in accordance with the instructions, may cause harmful interference to radio communications.

However, there is no guaranty that interference will not occur in a particular installation. If this equipment does cause harmful interference to radio or television reception, which can be determined by turning the equipment off and on, the user is encouraged to try to correct the interference by one or more of the following measures:

- Reorient or relocate the receiving antenna.
- Increase the separation between the equipment and receiver.
- Connect the equipment into an outlet on a circuit different from that to which the receiver is connected.
- Consult the dealer or an experienced radio / TV technician for help.

## CAUTION:

These servicing instructions are for use by qualified service personnel only. To reduce the risk of electric shock, do not perform any servicing other than that contained in the operating instructions unless you are qualified to so.

### Important information about charging and using rechargeable batteries

1. Recharge the batteries in any case at least every 2 months, or as needed.
2. Make sure the Battery Select switch inside the battery compartment is set to the "NiMH" position.
3. Put the batteries in the compartment while paying attention to the correct polarity of the batteries (+ and -).
4. **First use:** Charge new batteries in one continuous, uninterrupted, charge until they are full. This first charge may take longer than normal. For longer battery life it is advised to always recharge in one continuous, uninterrupted charge until batteries are full and to not recharge again when the batteries are still full, to avoid damaging the unit.
5. New batteries will only reach their full capacity after some time of use (several charge and discharge cycles).
6. Leave the complete group of batteries in place inside the radio and do not use these batteries or a few of them for other purposes. This will result in a mix of (fully) charged and (partly) empty batteries. This can seriously damage the batteries and radio when recharged.
7. It is advised to only charge batteries at room temperatures between 5 degrees C – 35 degrees C. In lower or higher temperatures full charge cannot be achieved.
8. Depending on the capacity of the batteries, charging from "empty" to "full" can take several hours, even up to 10 hours or more.
9. Do not charge batteries when the radio is hot or exposed to heat or heat sources.
10. It is advised to clean the metal contacts of the batteries and of the charger inside the radio.
11. Do not use a mix of old and new rechargeable batteries.
12. Do not use a mix of rechargeable and non-rechargeable batteries.
13. Do not use a mix of full and empty rechargeable batteries.
14. Do not use batteries that have a different mAh capacity.
15. Do not use damaged, deformed or leaking batteries.
16. Battery level indicator is an approximate indication only and can vary with battery type that is used.
17. Batteries can become hot during charging.
18. In cold conditions the capacity of batteries will become much lower than when used at normal room temperature.
19. Batteries (even when supplied with the radio), as

being consumables, do not fall under the warranty conditions of the radio.

20. Batteries should not be disposed of by incineration and with household waste.
21. Disposable batteries should be taken to a suitable recycling center if possible.
22. **Caution:** Danger of explosion if battery is incorrectly replaced. Replace only with the same or equivalent type.
23. It is advised to use rechargeable NiMH batteries of model number LEXEL / D10000 or non-rechargeable size "D" batteries or the same specifications of the consumer grade, non-rechargeable carbon-zinc or alkaline batteries.

## 2. Introduction

### Overview of the main unit

- ① Battery compartment locking mechanism
- ② NFC detection area
- ③ Display protection bar
- ④ Source button
- ⑤ Page / Bluetooth pairing button
- ⑥ Tone / Volume button
- ⑦ HD Seek button
- ⑧ LCD Display
- ⑨ Preset buttons  
Preset 1 button  
Preset 2 button  
Preset 3 / Previous track / Rewind button  
Preset 4 / Play / Pause button  
Preset 5 / Next track / Fast forward button
- ⑩ Alarm / Time Set button
- ⑪ Seek / Select / Tuning button
- ⑫ Power button
- ⑬ Info / Menu button
- ⑭ Speaker
- ⑮ USB charging port
- ⑯ AUX IN socket
- ⑰ DC IN socket
- ⑱ Battery compartment
- ⑲ FM antenna
- ⑳ Battery switch

## 3. Getting started

### Positioning the radio

After unpacking the radio from the box, follow these guidelines to find a suitable location for the radio:

- Place the radio on a flat, even surface such as a table.
- Do not place the radio near heat sources.
- Make sure there is sufficient space available around the radio for proper ventilation.
- Avoid placing the radio near appliances that can interfere with Bluetooth reception.

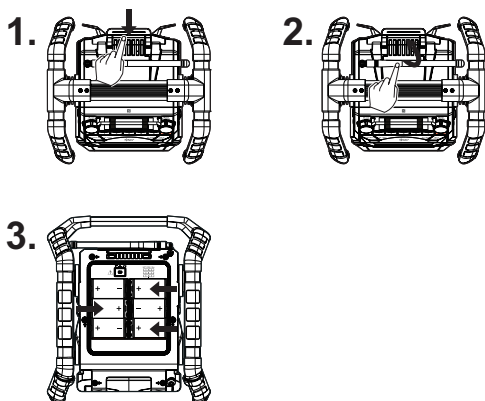
## Powering the radio

The U7HD can be powered using the AC power cord or by using 6 x D size Alkaline or NiMH batteries.

**Note:** If the radio is turned on and there is no sound output for 15 minutes, it will automatically turn off.

If needed, press and release the **Power button** to turn the radio back on.

## Battery operation



The U7HD can be powered using 6 D size Alkaline or NiMH batteries. The difference between these two types of batteries is that Alkaline batteries cannot be recharged, while NiMH batteries can be recharged. Insert the batteries into the radio using these steps:

1. Push the latch at the back of the locking mechanism up to unlock the locking mechanism.
2. After unlocking the locking mechanism, the front of the mechanism will move towards the front of the radio and can now be lifted. Lift the front of the locking mechanism all the way up and then push it towards the back of the radio to open the battery compartment.
3. Before inserting the batteries, make sure the battery switch inside the battery compartment is placed in the correct position (Alkaline or NiMH, corresponding to your batteries).
4. Insert 6 x D size batteries into the battery compartment with polarities as shown in the diagram inside the battery compartment.
5. Close the battery compartment and lock the locking mechanism by following steps 1 to 3 in reverse order.

When the radio is battery-powered, a battery indicator will be shown in the top right corner of the radio's display. Replace or recharge batteries in time to make sure the

radio can be used without any interruption. In order to recharge NiMH batteries, the radio must be connected to the wall outlet using its power cable, and the radio must be turned off.

Only NiMH batteries can be recharged. Always make sure the battery switch inside the radio's battery compartment is in the correct position. If any Alkaline batteries have been inserted into the battery compartment and the battery switch is set in the NiMH position, or if batteries have been inserted with reverse polarity, the radio will not charge the batteries.

When charging batteries in the standby mode, the battery indicator indicates the charging status:

<p>The battery indicator on the right will be shown <b>when charging is in progress</b>. An animation inside the batteries indicates that the batteries are being charged.</p>	<p>03 / 12 / 2024</p> <p><b>15:00</b></p> <p>Battery 1 2 3 4 5 6</p> <p>Charging </p>
<p>The battery indicator on the right will be shown <b>when the charging process is completed</b>. The charging animation is no longer being played and the bars inside the batteries indicate that they have been fully charged.</p>	<p>03 / 12 / 2024</p> <p><b>15:00</b></p> <p>Battery 1 2 3 4 5 6</p> <p>Charging </p>
<p>No battery indicator will be shown <b>when there are no / missing batteries in the battery compartment or if batteries have been inserted with reverse polarity</b>.</p>	<p>03 / 12 / 2024</p> <p><b>15:00</b></p>
<p>The indicator on the right will be shown <b>when a battery is detected as faulty / damaged</b>. A cross will appear in the battery icon under the corresponding battery number.</p> <p>In this case, replace the battery with a NiMH battery that is in proper working condition.</p>	<p>03 / 12 / 2024</p> <p><b>15:00</b></p> <p>Battery 1 2 3 4 5 6</p> <p>Charging </p>

**Note:** Reduced power, distortion and a "stuttering sound" or an empty battery symbol flashing on the radio's display are all signs that the batteries need to be replaced or recharged.

## AC operation

Before connecting the plug of the U7HD's power cable to a wall socket, please ensure that the voltage that the wall socket supplies is within the supported range printed at

the back of the radio's battery compartment (120V~60Hz). If this is the case, unwind the power cable from the AC cable hook and insert the plug of the power cable into the wall socket. If no wall socket with a matching voltage range is available, an AC adapter with 12V / 1.2A (not included) can be used and connected to the DC IN socket of the radio.

If the radio is connected to the wall outlet, it will not use any battery power and it can charge rechargeable (NiMH) batteries that have been installed in the battery compartment and USB devices that have been connected to the USB charging port in the standby mode. When the radio is not being used, use the AC cable hook to store the radio's power cord.

**Note:** If the radio is disconnected from the power source and no batteries have been installed in the battery compartment, the time and date will have to be set again. This will be indicated by the "Change Clock" setup screen on the radio's display. Use the **Tuning button** to set the time and date.

GB

## Navigating and using the radio menu

The radio menu can be opened from any mode, including the standby mode.

To open the radio menu, press and hold the **Info / Menu button** for 2-3 seconds until a beep is heard, then release the button. The menu will appear on the radio's display. Next, rotate the **Tuning button** to select one of the menu items, then press and release the **Tuning button** to confirm your choice. While in the radio menu, press the **Info / Menu button** at any time to close the menu.

The list below gives an overview of the default options that can be selected when the menu is opened from the standby mode. If the menu is opened from any of the other radio modes, it will feature these options alongside additional options specific to the selected mode. These items will be listed in the section belonging to that specific mode later in this manual.

**[Change Clock]:** Select this option to set the radio's time and date.

**[Set 12 / 24 hour]:** Select this option to choose between the 12-hour and the 24-hour time format.

**[Alarm]:** Select this option to configure the alarms of the radio. The U7HD features 2 alarms that can independently be set and enabled or disabled. Refer to the section "Setting and operating the alarms" in chapter 8 for more information on how to configure the alarms.

**[Set Sleep Time]:** Select this option to configure the radio's sleep timer. The available options are **[15 mins]**, **[30 mins]**, **[45 mins]**, **[60 mins]**, **[90 mins]**, **[120 mins]**, **[150 mins]**, and **[180 mins]**. After selecting a time, the radio's display will show the sleep time indicator and the radio will turn off after the selected time has elapsed.

**[Power On Dimmer]:** Select this option to configure the display brightness when the radio is turned on. The available options are **[Off]** and **[1]-[3]**.

**[Standby Dimmer]:** Select this option to configure the display brightness when the radio is in standby mode. The available options are **[Off]** and **[1]-[3]**. This setting will only apply when the radio is connected to the mains. When the radio is battery powered, the standby dimmer will automatically be turned off, regardless of this setting, to save battery power.

**[Language]:** Select this option to configure the language in which the radio menus are displayed. The available languages on the U7HD are **[English]** and **[Español]**.

**[Alert]:** Select this option to enable or disable the radio's Emergency Alerts feature and defining a location for Emergency Alerts using a state / county code or a zip code.

**[Alert Volume]:** Select this item set the volume level for Emergency Alerts. The alert volume can be set from **[1]-[32]**.

**[EA History]:** Select this option to see the last 5 Emergency Alerts that have been received.

**[Factory Reset]:** Select this option to reset the radio to the default settings. Please note that selecting this item and subsequently selecting **[Yes]** will reset the radio to its factory settings and all information stored on the radio will be deleted. This includes all settings and preset stations stored in the radio's memory.

**[Host Version]:** Select this option to view the radio's software version.

**Note:** If the radio receives no input for about 20 seconds while in the menu, it will automatically exit the menu and any changes to settings that were not saved will be lost.

## Setting the time and date

To set the radio's time and date, follow these steps:

1. Press and hold the **Alarm / Time Set button** for 2-3 seconds, then release it. Alternatively, open the radio menu by pressing and holding the **Info / Menu button** for 2-3 seconds until a beep is heard, then release it, and select **[Change Clock]** to start setting the time and date.
2. Rotate the **Tuning button** to select the desired hour (the radio is using the 12-hour time format, keep rotating Tuning button past the 12 o'clock hour to switch between AM and PM), then press and release the **Tuning button** to set the hour.
3. Rotate the **Tuning button** to select the desired minutes, then press and release the **Tuning button** to set the minutes.
4. The radio will now allow you to set the date. Rotate the **Tuning button** to select the desired month, then press and release the **Tuning button** to set the month.
5. Rotate the **Tuning button** to select the desired day, then press and release the **Tuning button** to set the day.
6. Rotate the **Tuning button** to select the desired year, then press and release the **Tuning button** to set the year.
7. After the time and date are set, the new time will be displayed at the top of the radio's display and the radio will return to the selected mode.

**Note:** The time and date can also be set automatically when receiving an FM radio station using RDS / RBDS data and a CT signal. In this case, the option **[RBDS Auto CT]** will be set to **[Manual]** and, as a result, the time will no longer be automatically updated when the radio

is tuned into an FM station using RDS / RBDS with CT signals. Refer to the section "Additional items in the radio menu" in chapter 4 for more information.

## 4. The AM / FM radio modes

### Tuning into AM / FM stations

To tune into AM / FM radio stations, follow these steps:

1. Turn on the radio by pressing the **Power button**.
2. Select the AM radio mode or the FM radio mode by repeatedly pressing the **Source button**.
3. Rotate the **Tuning button** clockwise or counterclockwise and then press and release the **Tuning button** to automatically scan for the next station with a higher or lower frequency respectively.
4. After a station has been found, rotate the **Tuning button** to fine-tune the frequency, if needed.
5. Rotate the **Volume button** clockwise or counterclockwise to respectively increase or decrease the volume as needed.
6. Repeat the steps 3 and 4 to tune into other radio stations.

#### Notes:

- (1) Before selecting the FM radio mode and tuning into stations, make sure that the FM region is configured correctly (refer to the next section in this chapter), that the radio is placed in a good location, and that the antenna at the back of the radio has been put in the upright position.
- (2) The radio's built-in AM antenna should provide sufficient reception for normal listening. If AM reception is poor, try rotating the radio for better reception.
- (3) When the end of the frequency band is reached the radio will resume tuning from the opposite end of the frequency band.

### Tuning into HD Radio™ stations

The U7HD is equipped with HD Radio Technology and is capable of tuning into HD Radio stations on the AM / FM band. To tune into digital HD Radio stations, follow these steps:

1. Turn on the radio by pressing the **Power button**.
2. Select the AM / FM radio mode by repeatedly pressing the **Source button**.
3. Rotate the **Tuning button** clockwise or counterclockwise and then press the **HD Seek button** to automatically scan for the next HD Radio station with a higher or lower frequency respectively.
4. If more than one Multicast stations are found on the same frequency, the radio will display the current Multicast station and indicate more Multicast stations are available by adding a plus symbol behind the Multicast station number. "HD1+" for example, indicates that the radio is tuned into Multicast station 1 and that one or more Multicast stations are available on the same frequency. Rotate and press the **Tuning button**

to switch between different Multicast channels on the same frequency.

5. Rotate the **Volume button** to increase or decrease the volume as needed.
6. Repeat steps 3 and 4 to tune into other HD Radio stations.

### Additional items in the radio menu

Both the AM radio menu and the FM radio menu contain several additional items. Below is a list of these items for each of the two modes.

#### AM radio

In the AM radio mode, the radio's menu features two additional items specific to this mode:

**[Tuning Region]:** Select this item to configure the radio's region for AM radio stations. The available options are as follows:

- Region A, 522-1710 kHz, steps of 9kHz (Europe, Australia).
- Region B, 520-1710 kHz, steps of 10kHz (US, Mexico, Canada).

**[HD Radio APS]:** Select this item to automatically scan for and preset HD Radio stations on the AM band. Refer to the section "Automatically presetting HD Radio stations" below for more information.

#### FM radio

In the FM radio mode, the radio menu features four additional items specific to this mode:

**[Tuning Region]:** Select this option to configure the radio's region for FM radio stations. The available options are as follows:

- Region A, 87.5-108.0 MHz, steps of 100kHz (US, most countries).
- Region B, 87.5-107.9 MHz, steps of 200kHz (Mexico, Canada).
- Region C, 87.5-108.0 MHz, steps of 50kHz (most countries).
- Region D, 76.0-108.0 MHz, steps of 100kHz (Brazil, Japan).

**[HD Radio APS]:** Select this item to automatically scan for and preset HD Radio stations on the FM band. Refer to the section "Automatically presetting HD Radio stations" in this chapter for more information.

**[RBDS Auto CT]:** Select this item and set it to **[Auto]** to allow the radio to automatically set its clock time when it is tuned into an FM station using RDS / RBDS with CT signals. Select **[Manual]** to ignore these signals and set the clock time manually as described in the previous chapter.

**[Force Mono]:** Select this item to enable or disable stereo playback for FM broadcasts. Select **[Mono]** to force the radio to play FM broadcasts in mono, or select **[Stereo]** to allow the radio to play FM broadcasts in stereo. Forcing mono may reduce hiss that can be audible when listening to weak FM signals.

**Note:** The radio will display a stereo indicator when an FM stereo broadcast is being played.

GB

## Presetting AM / FM radio stations

The U7HD features 4 pages each containing 5 presets (for a total of 20 presets) for both AM and FM radio stations.

To manually store a station as a preset on either band, follow these steps:

1. Turn on the radio by pressing the **Power button**.
2. Select the AM / FM radio mode by repeatedly pressing the **Source button** and tune into the required station as previously described.
3. Select the desired preset page by repeatedly pressing the **Page button**. The radio will show the selected page and the 5 stations that have been stored on the page on its display.
4. Press and hold the **Preset button** (1-5) of the desired preset number for 2-3 seconds. The radio will show a message indicating that the radio station has been saved as a preset, for example "Preset P2 M4 stored" to indicate that the radio station has been stored on page 2 as preset number 4.
5. Repeat this procedure as needed for the remaining presets. Preset stations cannot be deleted, but they can be overwritten by storing a new station on an already used preset.

## Recalling presets

To recall a preset, follow these steps:

1. Turn on the radio by pressing the **Power button**.
2. Select the AM / FM radio mode by repeatedly pressing the **Source button**.
3. If the preset station was previously saved on the first preset page, directly press the corresponding **Preset button** (1-5). Otherwise, repeatedly press the **Page button** to select the required page and use the **Tuning button** to select the preset or press the corresponding **Preset button** (1-5) after selecting the page.
4. The radio will now play the selected preset and the radio station's frequency will be displayed on the radio's display.

## Showing station information on the display

### RDS (Radio Data System) status

Your radio has a range of display options when in FM mode. Repeatedly press the **Info / Menu button** to cycle through the following information on the radio's display:

- Radio text
- Program type
- Signal strength
- Date

**Note:** The radio only displays information when there is information available. If no RDS information is available, the radio will be unable to display the program service (e.g. station name), scrolling text and program type information.

## HD Radio™ status

Press and release the **Info / Menu button** to cycle through the various options.

- Radio text
- Program type
- Signal strength
- Date

**Note:** Some of the information in the list above may only be available when the radio is tuned into HD Radio stations or FM radio stations using RDS / RBDS.

## 5. The Bluetooth mode and TWS feature

In order to stream Bluetooth music to your radio, you need to pair your Bluetooth device with your U7HD. Pairing creates a 'bond' so two devices can recognize each other.

### Pairing your Bluetooth device for the first time

The radio can be paired to Bluetooth devices using standard Bluetooth pairing or using NFC (Near Field Communication) if your Bluetooth device supports NFC. Below are the instructions for pairing your radio and Bluetooth device using either method.

### Standard Bluetooth pairing

To pair your Bluetooth device with the U7HD using standard Bluetooth pairing, follow these steps:

1. Turn on the radio by pressing the **Power button**.
2. Repeatedly press the **Source button** to select the Bluetooth mode. The radio's display will first show the Bluetooth symbol and then the message "BT Pairing". The Bluetooth indicator at the bottom of the radio's display will blink to indicate that the radio is available for Bluetooth pairing.
3. Enable Bluetooth on your Bluetooth device (refer to the manual of the Bluetooth device if you are unsure about how to enable Bluetooth).
4. Go to the Bluetooth list on your Bluetooth device and select the device named "U7HD".

**Note:** On some Bluetooth devices with Bluetooth version 2.1 or earlier, you might be requested to enter a passcode. If this is the case, enter the passcode "0000".

5. After the devices have paired and connected, a confirmation tone will be played on the radio, the radio's display will show the name of the connected Bluetooth device, and the Bluetooth indicator in the bar at the bottom of the radio's display will stay lit. You can now play music on your Bluetooth device and stream the music through the radio's speaker.

### Bluetooth pairing using NFC

If your Bluetooth device supports NFC, pairing your Bluetooth device with the radio is a bit easier:

1. Enable NFC on your Bluetooth device and make sure the device's screen is turned on and unlocked to allow NFC to work.



2. Gently touch the NFC detection area of the radio with your Bluetooth device. The radio will automatically switch to the Bluetooth mode to indicate it has detected the Bluetooth device. The Bluetooth device will ask for permission to pair with the radio if this is the first time that the devices are being paired.

3. Allow the Bluetooth device to pair with the radio.

4. After the devices have paired and connected, a confirmation tone will be played on the radio, the radio's display will show the name of the connected Bluetooth device, and the Bluetooth indicator in the bar at the bottom of the radio's display will stay lit. You can now play music on your Bluetooth device and stream the music through the radio's speaker.

5. To disconnect your Bluetooth device, simply touch the NFC detection area of the radio again with the device. The Bluetooth icon will then start flashing, indicating that your radio is discoverable for pairing again.

#### Notes:

- (1) If 2 Bluetooth devices are pairing for the first time, both must search for your radio, it will show its availability on both devices. However, if one device links with this unit first, then the other Bluetooth device won't find it on the list.
- (2) If you take your Bluetooth device out of range, the connection between your device and the radio will be temporarily disconnected. Your radio will automatically reconnect if the Bluetooth device is brought back into range. Be aware that during the period of disconnection, no other Bluetooth device can pair or link with your radio.
- (3) If "U7HD" shows up in your Bluetooth device list, but your Bluetooth device cannot connect with it, please delete the item from your list and pair your Bluetooth device with the radio again following the steps described previously.
- (4) The effective operation range between the radio and the paired Bluetooth device is approximately 10 meters (30 feet). Any obstacle between the system and the device can reduce the operational range.
- (5) Bluetooth connectivity performance may vary depending on the connected Bluetooth device. Please refer to the Bluetooth capabilities of your device before connecting it to your radio. Not all features may be supported, depending on the Bluetooth device used.
- (6) With some mobile phones, making / receiving calls, text messages, e-mails or any other activities unrelated to audio streaming may mute the Bluetooth audio streaming or even temporarily disconnect from your device. Such behavior is a function of the Bluetooth device and does not indicate a problem with your U7HD.
- (7) The NFC feature can be used while the radio is in standby mode. In this case, when the Bluetooth device touches the NFC detection area on the radio, the radio will automatically turn on and switch to the Bluetooth mode.

## Audio playback in the Bluetooth mode

When you have successfully connected your radio with the chosen Bluetooth device you can start to play your music using the controls on your connected Bluetooth device.

1. The volume of Bluetooth playback can be controlled both on your Bluetooth device and on the radio using the **Volume button**.
2. Playback can also be controlled both using the controls on your Bluetooth device and the controls on the radio. Press the radio's **Play / Pause button** to start / pause playback, press the **Next track button** or **Previous track button** to skip to the next or previous track respectively, or press and hold the **Fast forward button** or **Rewind button** to fast forward or rewind within a track and release the button when the desired point is reached.

**Note:** Not all player applications or devices may respond to all of these controls.

## Bluetooth display options

If your connected Bluetooth device can provide information from the track being played, repeatedly press the **Info / Menu button** to cycle through the following information on the radio's display:

- Track title
- Artist
- Album
- Date

Please note that the availability of information depends on the specific media format.

## Additional items in the radio menu

In the Bluetooth mode, the radio menu features one additional item specific to this mode:

**[Forget Device]:** Select this item and then select **[Yes]** to have the radio forget all previous Bluetooth devices it has paired with.

**[TWS]:** Select this item to use the radio's TWS (True Wireless Stereo) feature. More information about this feature can be found in the "The TWS feature" section below.

## Audio playback from a previously paired Bluetooth device

The U7HD can memorize up to 6 sets of paired Bluetooth devices. Once more than 6 devices are memorized, the earliest device with which the radio was paired will be overwritten in the radio's memory.

If your Bluetooth source device has previously paired with the U7HD previously, the radio will still remember your Bluetooth device and attempt to reconnect with the device that was last connected.

## Disconnecting your Bluetooth device

Press and hold the **Bluetooth pairing button** for 2-3 seconds to disconnect the radio from your Bluetooth device. Alternatively, you can also press the **Source button** to select any mode other than Bluetooth mode or turn off Bluetooth on your Bluetooth device to disconnect.

If you disconnect using the Bluetooth device while the radio is in the Bluetooth mode, a confirmation tone will be played, and the radio's Bluetooth indicator will start blinking again to indicate that the radio is available for pairing.

## The TWS feature

You can use the radio's TWS (True Wireless Stereo) feature to connect your radio to a second U7HD radio and play music via Bluetooth through two speakers.

### Setting up the first speaker

Make sure that the radio that acts as the first speaker is in Bluetooth mode and available for pairing (not connected to a Bluetooth device).

### Setting up the second speaker

Make sure that the radio that acts as the second speaker is in Bluetooth mode and not connected to a Bluetooth device.

1. Press and hold the **Info / Menu button** for 2-3 seconds to open the menu of the Bluetooth mode.
2. Rotate the **Tuning button** to select **[TWS]** and press the **Tuning button** to confirm.
3. Rotate the **Tuning button** to select **[Pair]** and press the **Tuning button** to confirm.
4. After the speakers have successfully connected, the first speaker will display "Lead Stereo", while the second speaker will display "Follow Stereo".

#### Notes:

- (1) Set up the second speaker within 1 minute of the first one, otherwise the setting of the first speaker will be cancelled.
- (2) When both speakers are connected to a Bluetooth device, the TWS function cannot be set.

## Audio playback using TWS

While using the TWS feature, audio playback can be controlled on either speaker or on the Bluetooth device. The controls are identical to the controls in the Bluetooth mode, for more information refer to the section "Audio playback in the Bluetooth mode" above.

**Note:** In the TWS mode, the volume, bass, treble, and loudness settings are synchronized between both speakers, so when one of these settings is changed on either of the speakers, it will also be changed on the other.

### Switching the TWS audio mode

When using the TWS feature, each of the speakers can be configured as a left speaker, a right speaker or a stereo speaker. Follow these steps to configure the TWS audio mode:

1. Press and hold the **Info / Menu button** for 2-3 seconds then release to open the menu of the Bluetooth mode.

2. Rotate the **Tuning button** to select **[TWS]**, then press and release the **Tuning button** to confirm.
3. Rotate the **Tuning button** to select **[L / R]**, then press and release the **Tuning button** to confirm.
4. Rotate the **Tuning button** and select **[Left]**, **[Right]**, or **[Stereo]**, then press and release the **Tuning button** to confirm.

- **[Stereo] mode:** Both speakers play the same sound (default setting).
- **[Left] / [Right] mode:** One speaker plays the sound on the left channel, while the other speaker plays the sound on the right channel for stereo playback between the speakers.

## Disconnecting the TWS connection

To disconnect the TWS connection between two speakers, follow these steps:

1. Press and hold the **Info / Menu button** for 2-3 seconds then release to open the menu of the Bluetooth mode.
2. Rotate the **Tuning button** to select **[TWS]**, then press and release the **Tuning button** to confirm.
3. Rotate the **Tuning button** to select **[Cancel]**, then press and release the **Tuning button** to confirm.

## 7. The AUX IN mode

### Using the auxiliary input socket

You can listen to the sound of an external device through the U7HD's speaker. To do this, follow these steps:

1. Connect the external device (such as iPod, MP3 player or CD player) to the radio's AUX IN socket using a 3.5mm audio cable (not supplied).
2. Make sure both the radio and the external device are turned on.
3. Repeatedly press the **Source button** to select the AUX IN mode.
4. The audio output of the external device will now be played through the speaker of the U7HD. Adjust the volume on the external device to ensure an adequate volume level and then use the radio's **Volume button** as needed to adjust the volume to a comfortable level.

## 8. Other Features

### Setting and operating the alarms

The U7HD features 2 alarms, which can be set in any of the radio's modes.

### Setting alarms

To set an alarm, follow these steps:

1. Press and release the **Alarm / Time Set button** or, alternatively, press and hold the **Info / Menu button** for 2-3 seconds and select **[Alarm]** from the radio's main menu.

- The radio's display will show whether alarm 1 and alarm 2 have been enabled and, if so, show the time at which the alarm will activate. To change the setting for alarm 1 or alarm 2, select the alarm, then press and release the **Tuning button**.
- Select the **[Enable]** option to configure when the alarm should be activated. After enabling the alarm, you can choose **[Daily]**, **[Once]**, **[Weekdays]**, **[Weekends]** or **[Off]**.
- Select the **[TIME]** option to configure the time of the alarm. Rotate the **Tuning button** to select the hour and minutes for the alarm and press the **Turning button** to confirm your selection.
- Select the **[Source]** option to configure the alarm source. The available options are **[Buzzer]**, **[AM]** and **[FM]**. If **[Buzzer]** is chosen in this step, proceed to step 8.
- If **[AM]** or **[FM]** is chosen in step 6, the menu will include the **[Preset]** option. This option is by default set to the last listened radio station. It can be changed into any of the preset radio stations by selecting it using the **Tuning button** and changing it to one of the radio presets in the radio's memory.
- Next, the alarm volume must be configured. Select **[Volume]** and rotate the **Tuning button** to select the desired alarm volume from **[1]** to **[7]**, and press the **Tuning button** to confirm your choice.
- Finally, the **[Save]** option should be selected to save your settings. After the **[Save]** option has been selected using the **Tuning button**, the radio display will show a message indicating that the alarm has been saved (e.g. "Alarm 1 Saved").

### Snoozing or stopping alarms

When an alarm is activated, it will start softly and gradually increase in level (Humane Wake System) and remain active for 60 minutes. An alarm indicator will be shown on the left side of the radio's display. Alarms can be stopped by pressing **Power button**, or snoozed for 5 minutes by pressing or rotating any other button. The remaining snooze time will be shown on the radio's display.

For AM / FM radio alarms, the **Volume button** can be used to control the alarm's volume.

### Setting the sleep timer

The U7HD also features a sleep timer, which can be set by following these steps:

- Press and hold the **Info / Menu button** for 2-3 seconds then release, use the **Tuning button** to select **[Set Sleep Time]** from the radio's main menu.
- Rotate the **Tuning button** to select the desired sleep time (15-180 minutes), then press and release the **Tuning button** to confirm the sleep time.
- After setting a sleep timer, the sleep indicator and remaining time of the sleep timer will be shown on the radio's display.
- To cancel a sleep timer, repeat step 1 and select **[Off]** in step 2.

### Configuring the Emergency Alerts feature

Emergency Alerts (EA) is a warning system used by broadcasters to notify listeners about potential hazardous situations related to extreme weather, floods, and infrastructure failures, amber alerts (child abductions), and more.

The U7HD must be in a location that allows for adequate reception of audio and data services and tuned into a station that provides the Emergency Alerts. When Emergency Alerts are enabled, the Emergency Alerts feature allows audio and text-based alerts to be played or displayed by the radio.

Alerts can awaken the radio from standby mode when it is powered using the AC IN or DC IN socket.

### Enabling Emergency Alerts

Emergency Alerts can be enabled in any of the radio's modes by following these steps:

- Press and hold the **Info / Menu button** for 2-3 seconds until a beep is heard, then release it. The menu will appear on the display.
- Rotate the **Tuning button** to select **[Alert]**, then press and release the **Tuning button** to confirm your choice.
- Rotate the **Tuning button** to select **[On]**, then press and release the **Tuning button** to confirm your choice.
- The radio will now ask if you want to define a location. Select **[On]** to define a location, so that the radio will only show local Emergency Alerts. Alternatively, select **[Off]** to skip defining a location, so all the alerts that are broadcast within the radio's range will be received. If **[Off]** is selected, configuring this feature is completed and the remaining steps can be skipped.
- The radio will now allow you to select a location preset. The U7HD has 10 location presets that allow you to easily switch between locations. Rotate the **Tuning button** to select the desired location preset, then press and release the **Tuning button** to confirm your choice.
- Next, rotate the **Tuning button** to select either of the following options to provide location data:
  - [State / County]:** After selecting and confirming this option, rotate and press the **Tuning button** to subsequently select and confirm a state and a county, and proceed to step 7.
  - [Zip]:** After selecting and confirming this option, rotate and press and release the **Tuning button** to enter the digits of a US ZIP code one by one from left to right, and proceed to step 7.
  - [Off]:** After selecting and confirming this option, the current preset is disabled. You can now proceed to step 7.
- Finally, rotate the **Tuning button** to select **[Save]** to save the configured settings. Then press and release the **Tuning Button**. The radio will display the message "Saved" to indicate that the settings have been saved. If you do not want to save the settings, press the **Info / Menu button** instead to close the radio menu.

## Snoozing and ignoring Emergency Alerts

Once an Emergency Alert is triggered, it will remain on the display until the user snoozes or ignores the Emergency Alert by pressing a button. An Emergency Alert can be snoozed for 10 minutes by pressing any of the radio's buttons other than the **Power button**, while it can be ignored for 12 hours by pressing the **Power button**. Emergency Alerts that have been snoozed or ignored can still be viewed in **[EA History]** in the radio menu. If a new Emergency Alert is received, however, the snooze or ignore will be cancelled immediately.

## Alert indicator

In several circumstances, the U7HD will display an alert indicator in the text display area on the radio's display. Below is a list of the possible values of the alert indicator:

Exclamation mark (!)	Emergency Alerts feature is disabled
Steady up-pointing triangle ( $\triangle$ )	Current station supports Emergency Alerts
Flashing up-pointing triangle ( $\triangle$ )	Emergency Alerts message "ignored"
Alternating up- down triangle ( $\triangle$ )	Emergency Alerts message "snoozed"
Flashing up-pointing test indicator ( $\triangle$ )	Test Alerts message OK and "ignored"
Alternating up-down test indicator ( $\triangle$ )	Test Alerts message OK and "snoozed"

## Setting the bass and treble levels and the loudness feature

The U7HD allows you to configure the bass and treble level of audio playback and comes with a loudness feature to provide a sound boost. The features can be set by following these steps:

1. Turn on the radio by pressing the **Power button**.
2. Press the **Volume button** to enter the menu for setting the bass and treble levels, and loudness feature.
3. Rotate the **Volume button** to select **[Loudness]**, **[Bass]**, or **[Treble]** and press the **Volume button** to confirm your choice.
4. If **[Bass]** or **[Treble]** was selected in the previous step, rotate the **Volume button** to select the desired level (from **[-5]** to **[5]**) and then press the **Volume button** to confirm, or if Loudness was selected, rotate the **Volume button** to select **[On]** or **[Off]** and then press the **Volume button** to confirm.

## Using the USB charging port

The U7HD is equipped with a USB charging port which can be used for charging iPhones, smartphones or similar devices. The charge time may vary and, in some cases, it may take longer to charge than when using the manufacturer's charging unit supplied with the device.

**Note:** USB devices can only be charged when the radio is powered using the AC IN or DC IN socket, the radio is in standby mode and the radio is not charging any batteries. If the radio is charging NiMH batteries, the charging of

USB devices will be temporarily suspended and will be resumed once the NiMH batteries are fully charged.

### IMPORTANT:


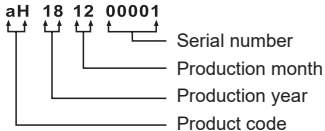
- The USB charging port has an output power of 5V / 1A. It does not support external hard disk drives, and some mobile phones or electronic devices.
- The USB charging port may not supply power to some USB devices.
- Do not connect a power source to the USB charging port. Otherwise, there is a risk of fire. The USB port is only intended for charging lower voltage devices.
- Do not insert a nail, wire, etc. into the USB charging port. Otherwise, a short circuit may cause smoke or fire.
- Do not connect the USB charging port to a USB port of your PC, as it is highly possible that it may cause damage to both units.
- Never use the USB charging port in rainy or moist conditions to prevent moisture from entering the radio.

## 8. Specifications


Frequency Coverage	
FM	87.50-108 MHz
AM	520-1710 kHz (10kHz / step) 522-1710 kHz (9kHz / step)
AC Power	AC 120V / 60Hz / 24W
Batteries	6 x UM-1 (D size)
Approx. Battery life	Speaker=100mW The battery life is approx. 40hours when using alkaline battery (12000mAh) / 4hours a day.
DC IN	12V / 1.2A center pin positive
Bluetooth	
Bluetooth specification	Bluetooth® Ver 5.0
Profile Support	A2DP, AVRCP1.6
Bluetooth Audio CODEC	SBC
Transmitting Power	Specification Power Class 2
Line of sight range	10 meters / 30 feet
Output Power	4W 10% T.H.D. @ 100Hz @ DC battery 9V 7W 10% T.H.D. @ 100Hz @ AC 120V
Aux in socket	3.5mm diameter, stereo jack to be mixed as monaural
Input sensitivity	300m Vrms at output 7W @ 100Hz
Input impedance	47kohm
Maximum supplying power of USB socket	5V / 1A
Speaker unit	6.5inches 8ohm 15W, full range
Antenna system	FM bended spring antenna AM built-in ferrite antenna

GB

※ The barcode label on the product is defined as below:

	 <p>Serial number Production month Production year Product code</p>
---	--

Sangean reserves the right to amend the specifications without notice.

 RECYCLING This product bears the selective sorting symbol for Waste electrical and electronic equipment (WEEE). This means that this product must be handled pursuant to European directive 2012/19/EU in order to be recycled or dismantled to minimize its impact on the environment.