

SANGEAN

SINCE 1974

U7HD



HD Radio®

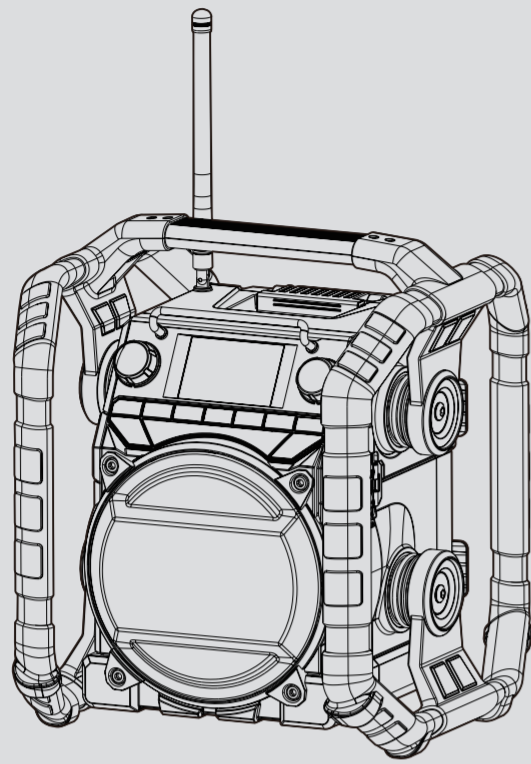
This HD Radio receiver enables:

HD1-HD5

Digital Sound

Program Info

Emergency Alerts



MIX

Paper | Supporting
responsible forestry
FSC™ C200879



3A87gTOS10030

02

compliance could void the user's authority to operate the equipment.

RF exposure statements

Radiation Exposure Statement:

The product complies with the FCC portable RF exposure limit set forth for an uncontrolled environment and are safe for intended operation as described in this manual. The further RF exposure reduction can be achieved if the product can be kept as far as possible from the user body or set the device to lower output power if such function is available.

Note:

This equipment has been tested and found to comply with the limits for a Class B digital device, pursuant to part 15 of the FCC Rules.

These limits are designed to provide reasonable protection against harmful interference in a residential installation. This equipment generates, uses and can radiate radio frequency energy and, if not installed and used in accordance with the instructions, may cause harmful interference to radio communications.

However, there is no guaranty that interference will not occur in a particular installation. If this equipment does cause harmful interference to radio or television reception, which can be determined by turning the equipment off and on, the user is encouraged to try to correct the interference by one or more of the following measures:

- Reorient or relocate the receiving antenna.
- Increase the separation between the equipment and receiver.
- Connect the equipment into an outlet on a circuit different from that to which the receiver is connected.
- Consult the dealer or an experienced radio / TV technician for help.

CAUTION:

These servicing instructions are for use by qualified service personnel only. To reduce the risk of electric shock, do not perform any servicing other than that contained in the operating instructions unless you are qualified to do so.

Important information about charging and using rechargeable batteries

1. Recharge the batteries in any case at

least every 2 months, or as needed.

2. Make sure the Battery Select switch inside the battery compartment is set to the "NiMH" position.
3. Put the batteries in the compartment while paying attention to the correct polarity of the batteries (+ and -).
4. **First use:** Charge new batteries in one continuous, uninterrupted, charge until they are full. This first charge may take longer than normal. For longer battery life it is advised to always recharge in one continuous, uninterrupted charge until batteries are full and to not recharge again when the batteries are still full, to avoid damaging the unit.
5. New batteries will only reach their full capacity after some time of use (several charge and discharge cycles).
6. Leave the complete group of batteries in place inside the radio and do not use these batteries or a few of them for other purposes. This will result in a mix of (fully) charged and (partly) empty batteries. This can seriously damage the batteries and radio when recharged.
7. It is advised to only charge batteries at room temperatures between 5 degrees C – 35 degrees C. In lower or higher temperatures full charge cannot be achieved.
8. Depending on the capacity of the batteries, charging from "empty" to "full" can take several hours, even up to 10 hours or more.
9. Do not charge batteries when the radio is hot or exposed to heat or heat sources.
10. It is advised to clean the metal contacts of the batteries and of the charger inside the radio.
11. Do not use a mix of old and new rechargeable batteries.
12. Do not use a mix of rechargeable and non-rechargeable batteries.
13. Do not use a mix of full and empty rechargeable batteries.
14. Do not use batteries that have a different mAh capacity.
15. Do not use damaged, deformed or leaking batteries.

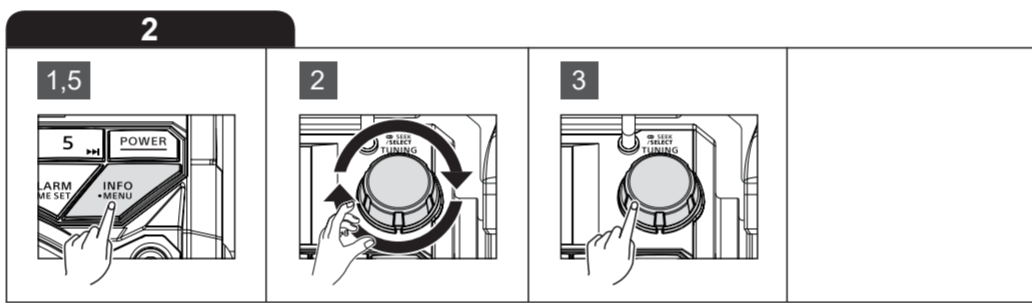
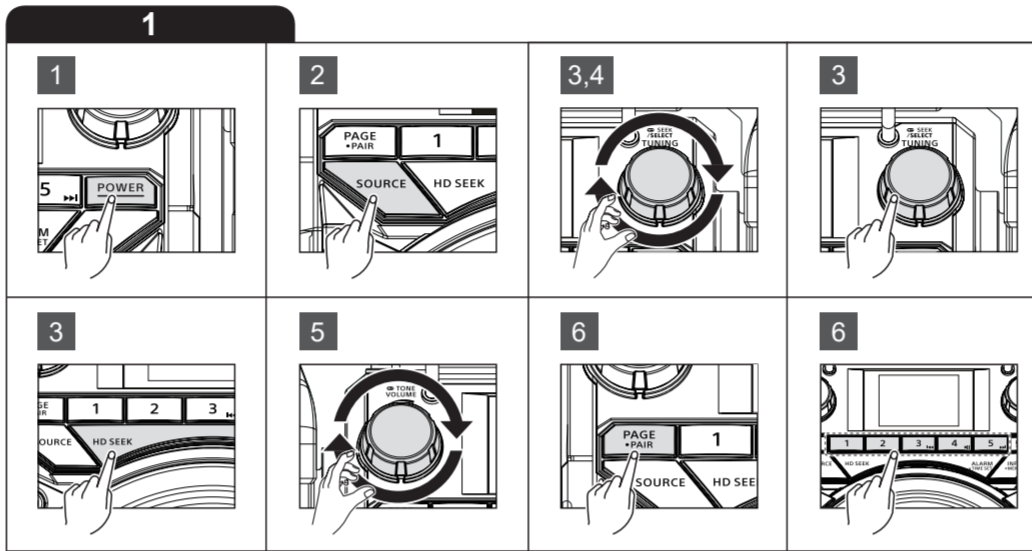
GB

For full documentation on all of the U7HD's functionality, please visit the website below or scan the QR code to download the full manual.

E

Para obtener la documentación completa sobre todas las funciones de la U7HD, visite el sitio web a continuación o escanee el código QR para descargar el manual completo.

<https://us.sangean.com>



03

16. Battery level indicator is an approximate indication only and can vary with battery type that is used.
17. Batteries can become hot during charging.
18. In cold conditions the capacity of batteries will become much lower than when used at normal room temperature.
19. Batteries (even when supplied with the radio), as being consumables, do not fall under the warranty conditions of the radio.
20. Batteries should not be disposed of by incineration and with household waste.
21. Disposable batteries should be taken to a suitable recycling center if possible.
22. **Caution:** Danger of explosion if battery is incorrectly replaced. Replace only with the same or equivalent type.
23. It is advised to use rechargeable NiMH batteries of model number LEXEL / D10000 or non-rechargeable size "D" batteries or the same specifications of the consumer grade, non-rechargeable carbon-zinc or alkaline batteries.

Powering on and connecting the radio

When you first use your radio, connect the plug of the U7HD's power cable to a wall socket supplying 120V~60Hz. The radio's display will light up, show the HD Radio logo, and then allow you to configure the time and date using the **Tuning button**. After configuring the time and date, the radio will return to the Standby mode. Press the **Power button** to turn it on.

Note: If the radio is disconnected from the power source and no batteries have been installed in the battery compartment, the time and date will have to be set again. This will be indicated by the "Change Clock" setup screen on the radio's display. Use the **Tuning button** to set the time and date.

Listening to AM / FM radio (Fig. 1)

1. Turn on the radio by pressing the **Power button**.
2. Repeatedly press the **Source button** to select the AM or FM radio mode.
3. Rotate the **Tuning button** clockwise or counterclockwise and then press the **Tuning**

button to automatically scan for the next station with a higher or lower frequency respectively. Alternatively, rotate the **Tuning button** clockwise or counterclockwise and then press the **HD Seek button** to automatically scan for the next HD Radio™ station with a higher or lower frequency respectively.

4. Rotate the **Tuning button** clockwise or counterclockwise to fine-tune the frequency, if needed.
5. Rotate the **Volume button** to increase or decrease the volume as needed.
6. **Storing a preset:** After tuning into a station, repeatedly press the **Page button** to select the required preset page and then press and hold the required the **Preset buttons** (1-5) for 2-3 seconds until a beep is heard and the radio's display will show a message indicating that the station has been saved (e.g. "Preset P2 M4 stored").

Recalling a preset: After selecting the required radio mode (AM or FM), repeatedly press the **Page button** to select the required preset page and then press the required the **Preset button** (1-5).

Using the radio's menu (Fig. 2)

The radio's menu can be used to configure the radio's AM / FM region, to set the clock, and for configuring features such as the snooze time and emergency alerts. Follow these steps to open and navigate the radio's menu:

1. Press and hold the **Info / Menu button** for 2-3 seconds, then release it to open the radio's menu.
2. Rotate the **Tuning button** to select an item or an option in the menu.
3. Push in and release the **Tuning button** to confirm your choice.
4. Repeat steps 2 and 3 if the item or option that is selected require additional configuration.
5. Press and release the **Info / Menu button** to close the radio menu, if needed.

Note: Items or options that belong to a certain mode (e.g. the AM region) can only be accessed by opening the menu in the corresponding mode.

01

GB

Quick Start Guide

HD Radio®

HD Radio™ Technology manufactured under license from iBiquity Digital Corporation, a subsidiary of Xperi Inc., U.S. and Foreign Patents. For patents see <https://xperi.com/hd-radio-patents/>. Xperi, HD Radio, HD, and 'ARC' logos and their respective logos are trademarks or registered trademarks of Xperi Inc. and its subsidiaries in the United States and other countries.

Bluetooth®

The Bluetooth® word mark and logos are registered trademarks owned by Bluetooth SIG, Inc. and any use of such marks by SANGEAN ELECTRONICS INC. is under license.

Important safety instructions

1. Read these instructions.
2. Keep these instructions.
3. Heed all warnings.
4. Follow all instructions.
5. Do not use this apparatus near water.
6. Clean only with dry cloth.
7. Do not block any ventilation openings. Install in accordance with the manufacturer's instructions.
8. Do not install near any heat sources such as radiators, heat registers, stoves, or other apparatus (including amplifiers) that produce heat.
9. Do not defeat the safety purpose of the polarized or grounding type plug. A polarized plug has two blades with one wider than the other. A grounding type plug has two blades and a third grounding prong. The wide blade or the third prong are provided for your safety. If the provided plug does not fit into your outlet. Consult an electrician for replacement of the obsolete outlet.
10. Protect the power cord from being walked on or pinched particularly at plugs, convenience receptacles, and the point where they exit from the apparatus.
11. Only use attachments / accessories specified by the manufacturer.
12. Use only with the cart, stand, tripod, bracket, or table specified

by the manufacturer, or sold with the apparatus. When a cart is used, use caution when moving the cart / apparatus combination to avoid injury from tip-over.

13. Unplug this apparatus during lightning storms or when unused for long periods of time.
14. Refer all servicing to qualified service personnel. Servicing is required when the apparatus has been damaged in any way, such as power-supply cord or plug is damaged, liquid has been spilled or objects have fallen into the apparatus, the apparatus has been exposed to rain or moisture, does not operate normally, or has been dropped.
15. To Reduce the Risk of Fire or Electric Shock, Do not Expose This Appliance To Rain or Moisture.
16. The Shock Hazard Marking and Associated Graphical Symbol is provided on the rear of unit.
17. Apparatus shall not be exposed to dripping or splashing and no objects filled with liquids, shall be placed on the apparatus.
18. Excessive sound pressure on ear- and headphones could impair the hearing ability. Higher setting that idle on the equalizer leads to higher signal voltages on the output for ear and headphones.
19. The power plug should be close to the radio, and easy to be approached that during the emergency, to disconnect the power from the radio, just unplug the power plug from the AC power slot.
20. Where the MAINS plug or an appliance coupler is used as the disconnect device, the disconnected device shall remain readily operable.
21. The batteries shall not be exposed to excessive heat such as sunshine, fire or the like.
22. This apparatus is provided with protection against splashing water and dust ingress (IP65).

For United States:

FC Cautions to the user

The changes or modifications not expressly approved by the party responsible for

04

Specifications

Frequency Coverage	
FM	87.50-108 MHz
AM	520-1710 kHz (10kHz / step) 522-1710 kHz (9kHz / step)
AC Power	
AC 120V / 60Hz / 24W	
Batteries	
6 x UM-1 (D size)	
Approx. Battery life	
Speaker=100mW The battery life is approx. 40hours when using alkaline battery (12000mAh) / 4hours a day.	
DC IN	
12V / 1.2A center pin positive	
Bluetooth	
Bluetooth specification	Bluetooth® Ver 5.0
Profile Support	A2DP, AVRCP1.6
Bluetooth Audio CODEC	SBC
Transmitting Power	Specification Power Class 2
Line of sight range	10 meters / 30 feet
Output Power	
4W 10% T.H.D. @ 100 Hz @ DC battery 9V 7W 10% T.H.D. @ 100 Hz @ AC 120V	
Aux in socket	
3.5mm diameter, stereo jack to be mixed as monaural	
Input sensitivity	
300m Vrms at output 7W @ 100Hz	
Input impedance	
47kohm	
Maximum supplying power of USB socket	
5V / 1A	
Speaker unit	
6.5inches 8ohm 15W, full range	
Antenna system	
FM banded spring antenna AM built-in ferrite antenna	

Sangean reserves the right to amend the specifications without notice.

RECYCLING This product bears the selective sorting symbol for Waste electrical and electronic equipment (WEEE). This means that this product must be handled pursuant to European directive 2012/19/EU in order to be recycled or dismantled to minimize its impact on the environment.

